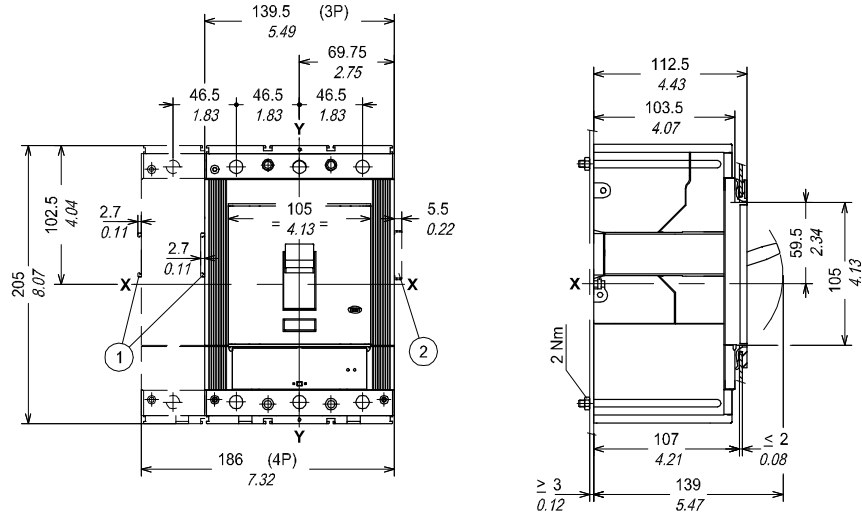


Fixed circuit breaker

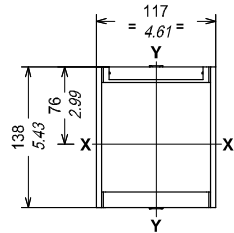
Fixing on sheet

Caption

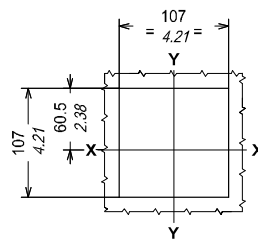
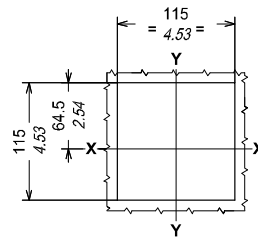
- ① Overall dimensions with cabled accessories mounted (SOR-C, UVR-C, RC221-222)
- ② Overall dimensions with cabled auxiliary contacts mounted (only 3Q 1SY)



Flange for compartment door



Drilling templates of the compartment door

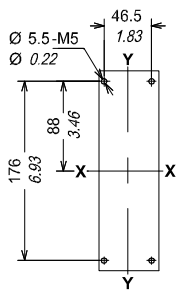


With flange (3-4 POLES)

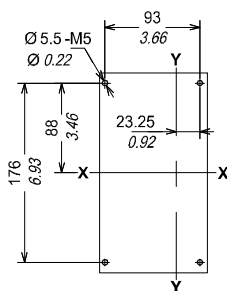
Without flange (3-4 POLES)

Drilling templates for support sheet

For front terminals

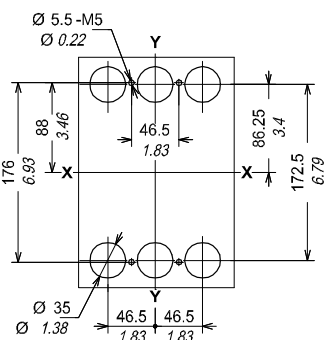


3 POLES

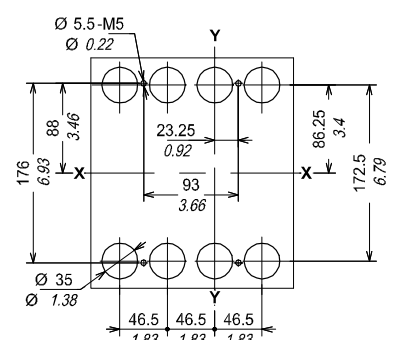


4 POLES

For rear terminals



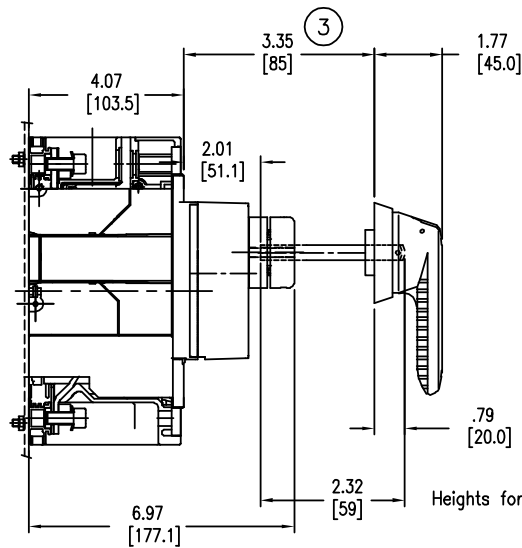
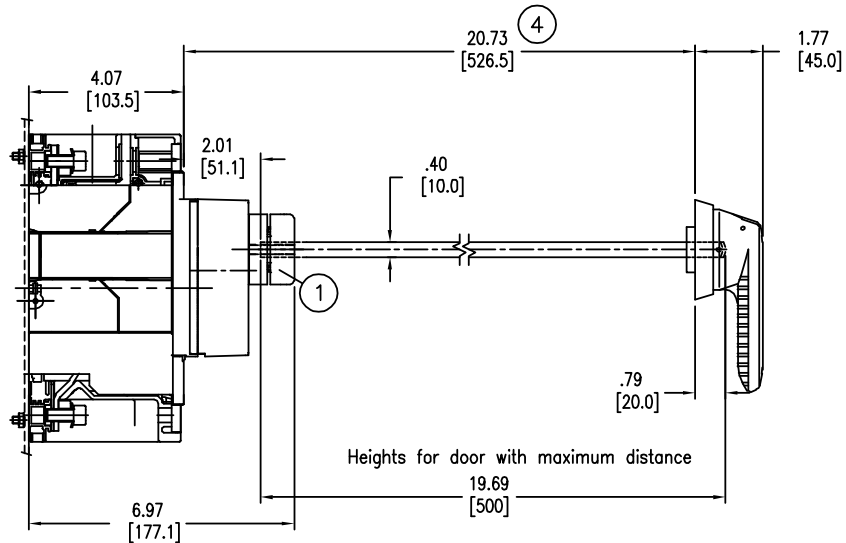
3 POLES



4 POLES

Approximate dimensions T4 - T5 Variable depth mechanism with OHB handle

Pistol handle operating mechanism on the compartment door



Note:
Minimum distance from hinge of enclosure door to center of shaft is 7.87 in. [200mm]

Caption

- ① Transmission unit
- ② Pistol handle operating mechanism on the compartment door
- ③ Minimum distance from the front door with accessory
- ④ Maximum distance from the front door with accessory

Drilling template of the compartment door

